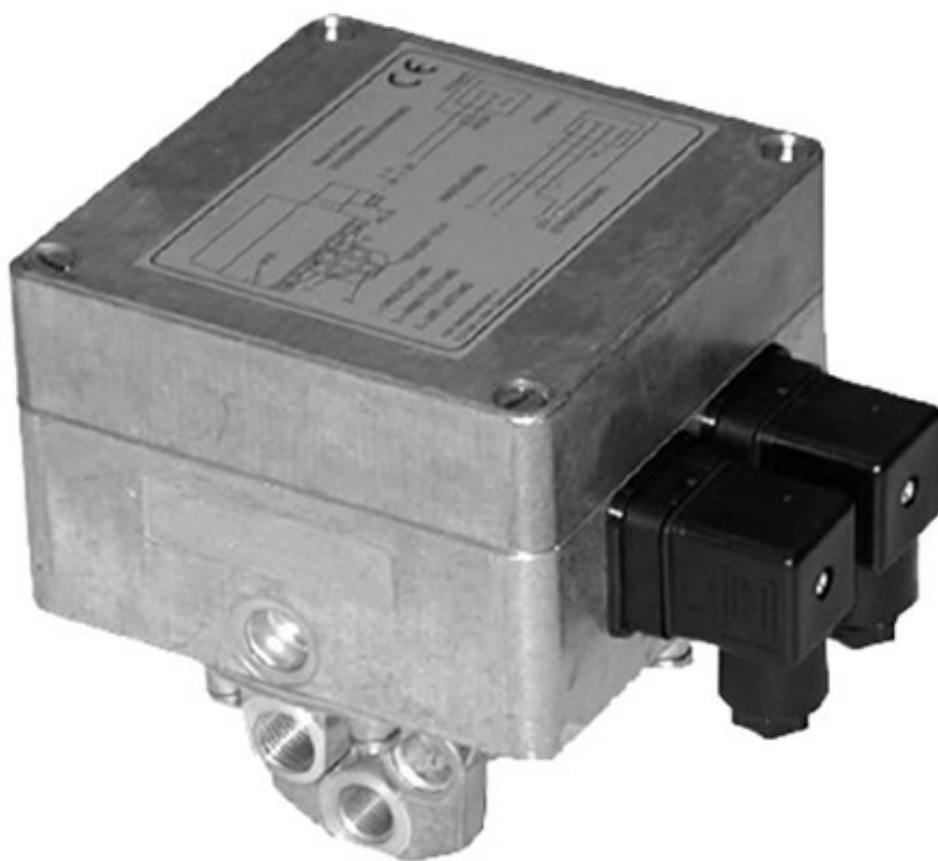


## Series EV07

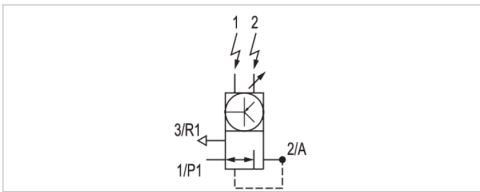
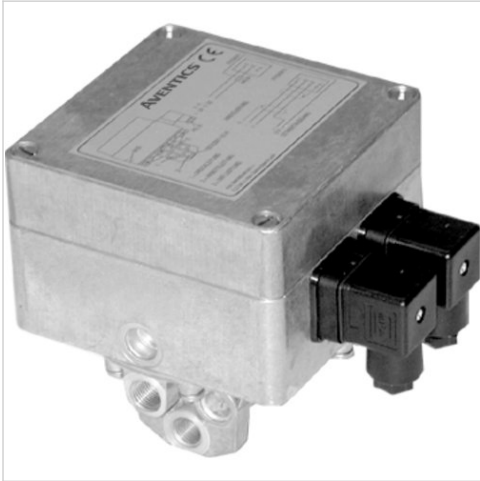


AVENTICS™ Series EV07



# E/P pressure regulator, Series EV07

- Qn = 800 l/min
- Compressed air connection output G 1/4
- Electr. connection Plug, EN 175301-803, form A
- Signal connection input and output, Plug, EN 175301-803, form A
- Pilot valves



Version	Poppet valve
Mounting orientation	vertical
Certificates	CE declaration of conformity
Working pressure max	See table below
Ambient temperature min./max.	5 ... 50 °C
Medium temperature min./max.	5 ... 50 °C
Compressed air connection input	G 1/4
Compressed air connection output	G 1/4
Compressed air connection, exhaust	G 1/4
Medium	Compressed air
Max. particle size	50 µm
Oil content of compressed air	0 ... 0.1 mg/m <sup>3</sup>
Nominal flow Qn	800 l/min
Control	Analog
DC operating voltage	24 V
Voltage tolerance DC	-20% / +20%
Hysteresis	0.04 bar
Permissible ripple	5%
Max. power consumption	200 mA
Protection class	IP54
Weight	2 kg
	Nominal flow Qn with working pressure 7 bar , with secondary pressure 6 bar and Δp = 0.2 bar

## Technical data

Part No.	Working pressure max	Pressure setting range min./max.	Nominal input value
			Min./max.
5610102050	8 bar	0.1 ... 6 bar	0 ... 20 mA
5610102060	8 bar	0.1 ... 6 bar	0 ... 20 mA
5610102070	8 bar	0.1 ... 6 bar	0 ... 10 V
5610102150	8 bar	0.1 ... 6 bar	4 ... 20 mA
5610102170	11 bar	0.15 ... 10 bar	4 ... 20 mA

Part No.	Actual output value	Control	
	Min./max.		
5610102050	0 ... 20 mA	Analog	-
5610102060	4 ... 20 mA	Analog	-
5610102070	-	Analog	1)
5610102150	4 ... 20 mA	Analog	-
5610102170	4 ... 20 mA	Analog	-

Minimum working pressure = 0.5 bar + max. required secondary pressure, The zero point and range of the output characteristics curve can be adjusted. The recommended range for the pilot device is 0.1 to 6 bar.

1) Output 10V constant to supply a set point potentiometer.

## Technical information

The min. control pressure must be adhered to, since otherwise faulty switching and valve failure may result!

The pressure dew point must be at least 15 °C under ambient and medium temperature and may not exceed 3 °C .

The oil content of compressed air must remain constant during the life cycle.

Use only the approved oils from AVENTICS. Further information can be found in the "Technical information" document (available in the MediaCentre).

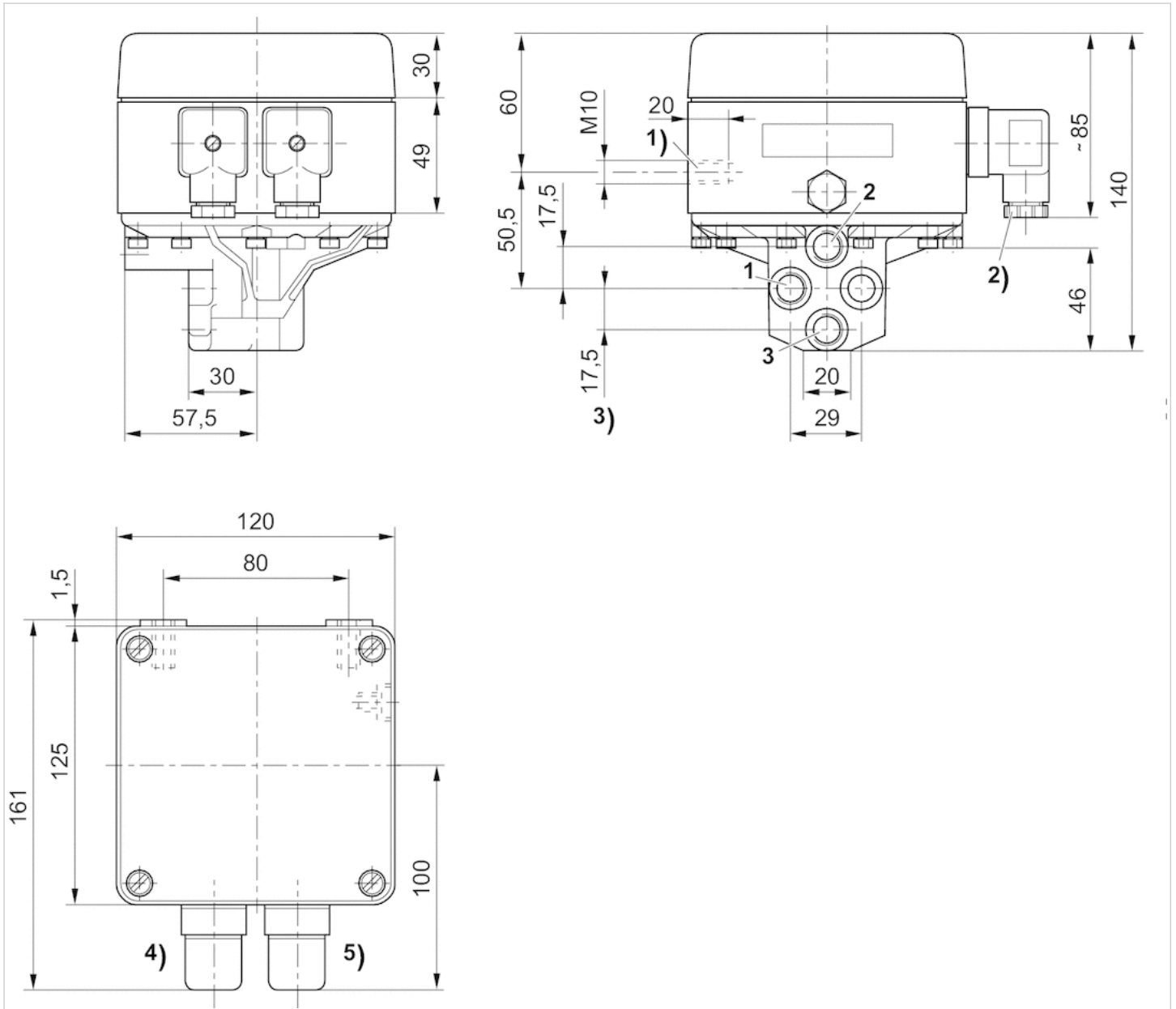
The protection class is only ensured when the plug is mounted properly. For detailed information, see operating instructions.

## Technical information

Material	
Housing	Die-cast aluminum
Seals	Acrylonitrile butadiene rubber

## Dimensions

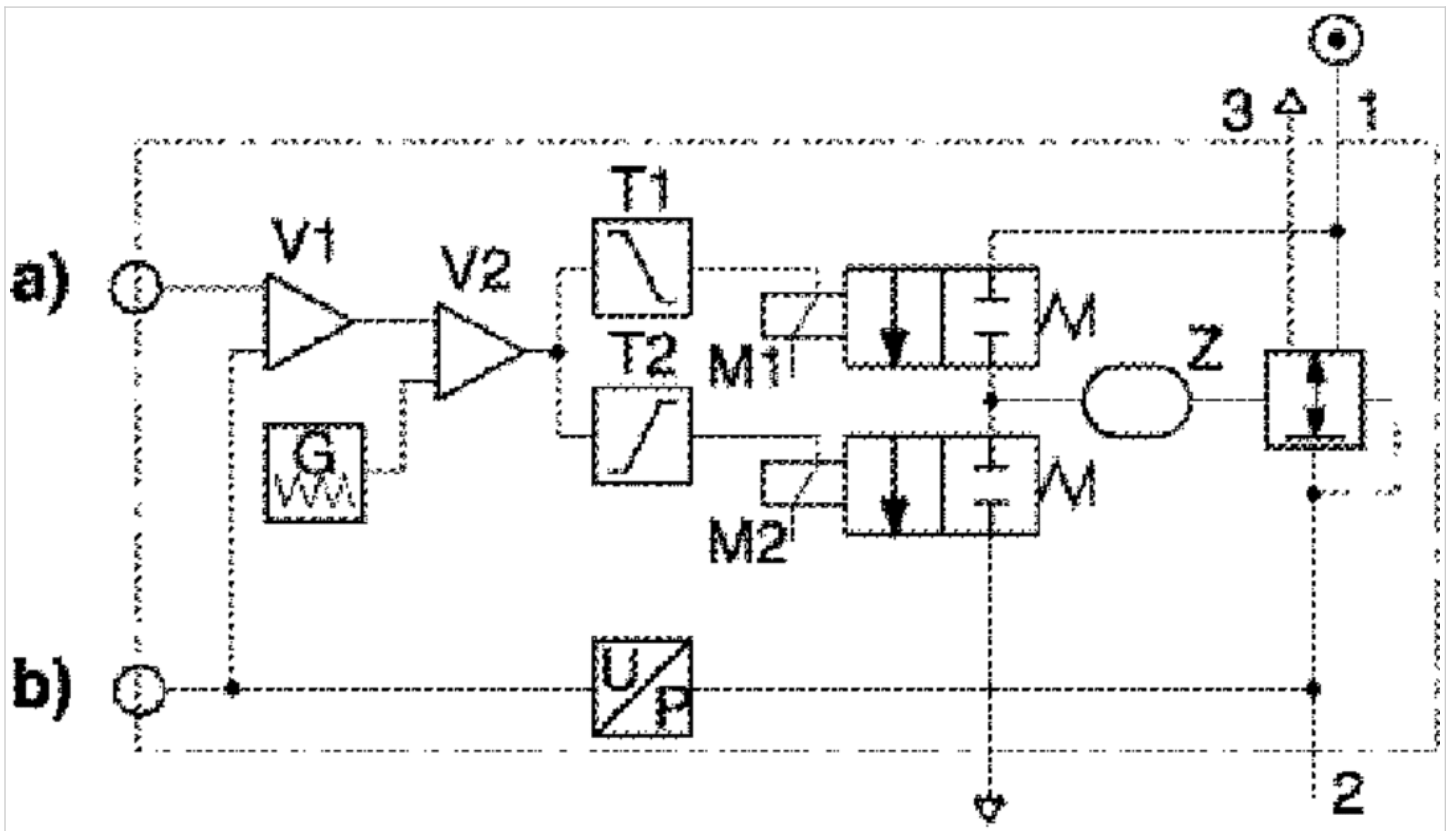
### Dimensions



- 1) mounting thread
- 2) PG 9
- 3) threaded connection 1 - 3 = G1/4 ISO 228/1:2000
- 4) plug 1
- 5) plug 2

Circuit diagram

Functional diagram



a) Nominal input value b) Actual output value

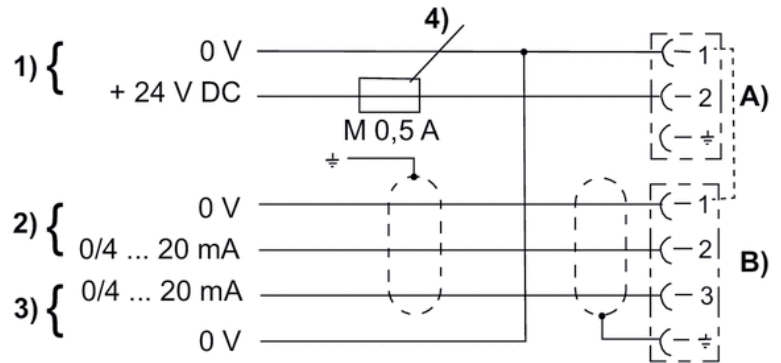
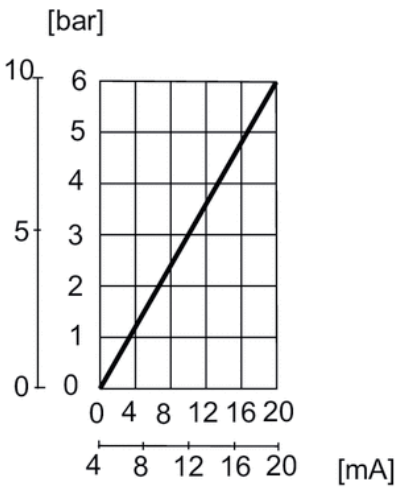
The E/P pressure control valve modulates the pressure corresponding to an analog electrical nominal input value.

The integrated electronics make a comparison between the nominal input value and the pressure in the output line (actual value).

The controller generates electrical input signals, which either ventilate or exhaust control volume Z of the relay valve by means of two pilot valves (M1, M2) until the specified pressure is attained in the output line.

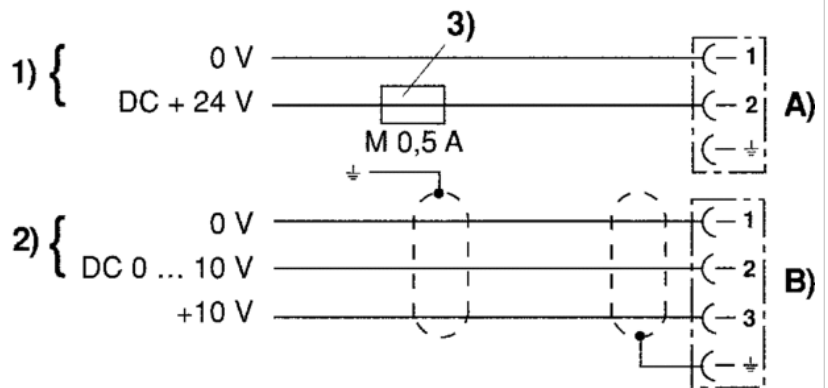
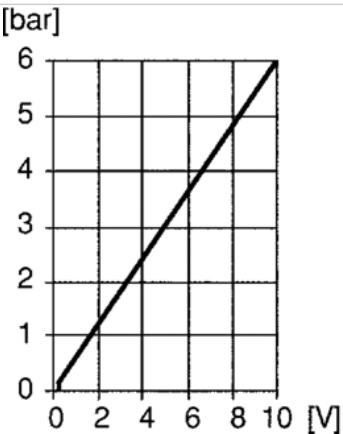
- 1) Operating pressure
- 2) Working pressure
- 3) Exhaust

Fig. 1, Characteristic and pin assignment for current control with actual output value



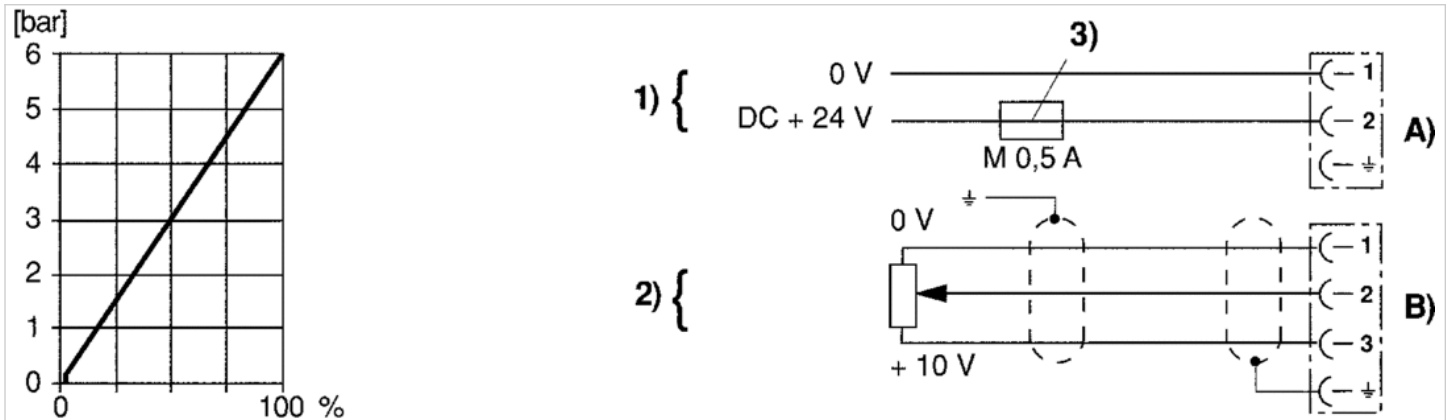
- 1) Supply voltage
  - 2) Input current nominal value (ohmic load 100 Ω, max. 50 mA).  
The (+) and (-) connection potential must be in the range 0-12 V related to plug 1, pin 1.
  - 3) Actual output value (max. total resistance of downstream devices 300 Ω)  
The actual value is measured between plug 2, pin 3 and plug 1, pin 1. The actual value is short circuit resistant for a limited time.
  - 4) The supply voltage must be protected by an external M 0.5 A fuse.  
Connect plug 2 via a shielded cable to ensure EMC.
- A) Plug 1 B) Plug 2

Fig. 2, Characteristic and pin assignment for voltage control with actual output value



- 1) Supply voltage
  - 2) Voltage control
  - 3) The supply voltage must be protected by an external M 0.5 A fuse.  
Connect plug 2 via a shielded cable to ensure EMC.
- A) Plug 1 B) Plug 2

Fig. 3, Characteristic and pin assignment for potentiometer control without actual output value



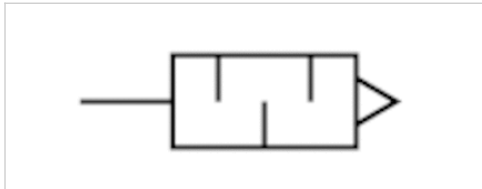
- 1) Supply voltage
- 2) Potentiometer control (0 - 2 kΩ (min.), 0 - 10 kΩ (max.))
- 3) The supply voltage must be protected by an external M 0.5 A fuse.  
Connect plug 2 via a shielded cable to ensure EMC.
- A) Plug 1
- B) Plug 2

# Silencers, series SI1

- G 1/4
- Sintered bronze



Working pressure min./max.	0 ... 10 bar
Ambient temperature min./max.	-25 ... 80 °C
Medium	Compressed air
Sound pressure level	79 dB
Weight	0.02 kg
Comment	Flow characteristic curves can be found under "Diagrams".



## Technical data

Part No.	Compressed air connection	Flow	Delivery unit
		Qn	
1827000001	G 1/4	3390 l/min	10 piece

Weight per piece

Nominal flow Qn at p1 = 6 bar (absolute) freely discharged. Sound pressure level measured at 6 bar against atmosphere at 1 m distance.

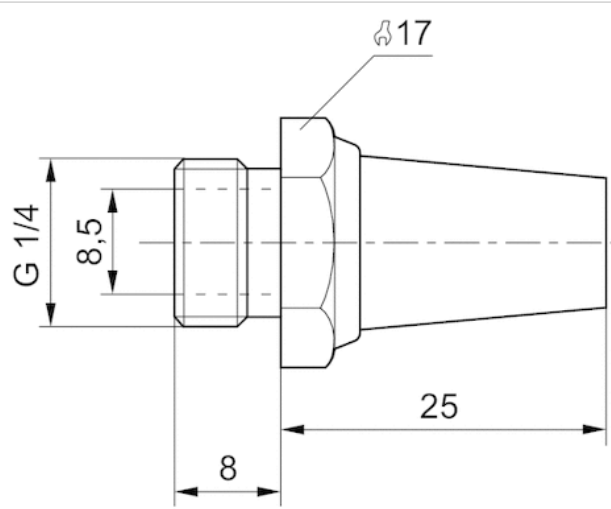
## Technical information

Material	
Silencer	Sintered bronze
Thread	Brass



## Dimensions

### Dimensions in mm



# Efficient pneumatic solutions, our program: cylinders and drives, valves and valve systems, air supply management



Visit us: [Emerson.com/Aventics](https://www.emerson.com/Aventics)

Your local contact: [Emerson.com/contactus](https://www.emerson.com/contactus)



Emerson.com



[Facebook.com/EmersonAutomationSolutions](https://www.facebook.com/EmersonAutomationSolutions)



[LinkedIn.com/company/Emerson-Automation-Solutions](https://www.linkedin.com/company/Emerson-Automation-Solutions)



[Twitter.com/EMR\\_Automation](https://twitter.com/EMR_Automation)

An example configuration is depicted on the title page. The delivered product may thus vary from that in the illustration. Subject to change. This Document, as well as the data, specifications and other information set forth in it, are the exclusive property of AVENTICS GmbH. It may not be reproduced or given to third parties without its consent. Only use the AVENTICS products shown in industrial applications. Read the product documentation completely and carefully before using the product. Observe the applicable regulations and laws of the respective country. When integrating the product into applications, note the system manufacturer's specifications for safe use of the product. The data specified only serve to describe the product. No statements concerning a certain condition or suitability for a certain application can be derived from our information. The information given does not release the user from the obligation of own judgment and verification. It must be remembered that the products are subject to a natural process of wear and aging.

The Emerson logo is a trademark and service mark of Emerson Electric Co. Brand logotype are registered trademarks of one of the Emerson family of companies. All other marks are the property of their respective owners. © 2017 Emerson Electric Co. All rights reserved.  
2019-03



**CONSIDER IT SOLVED™**